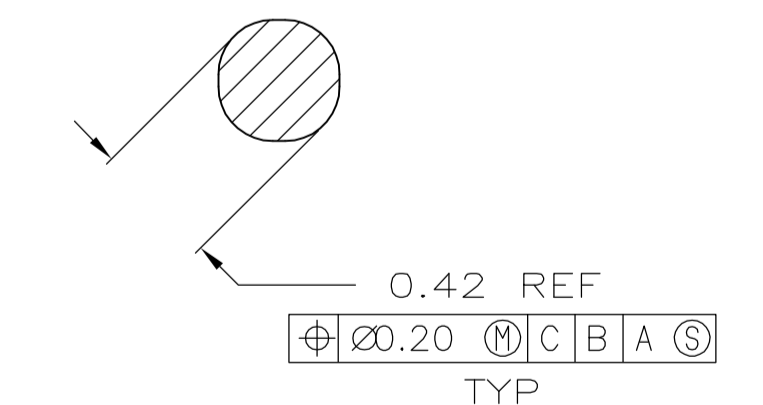
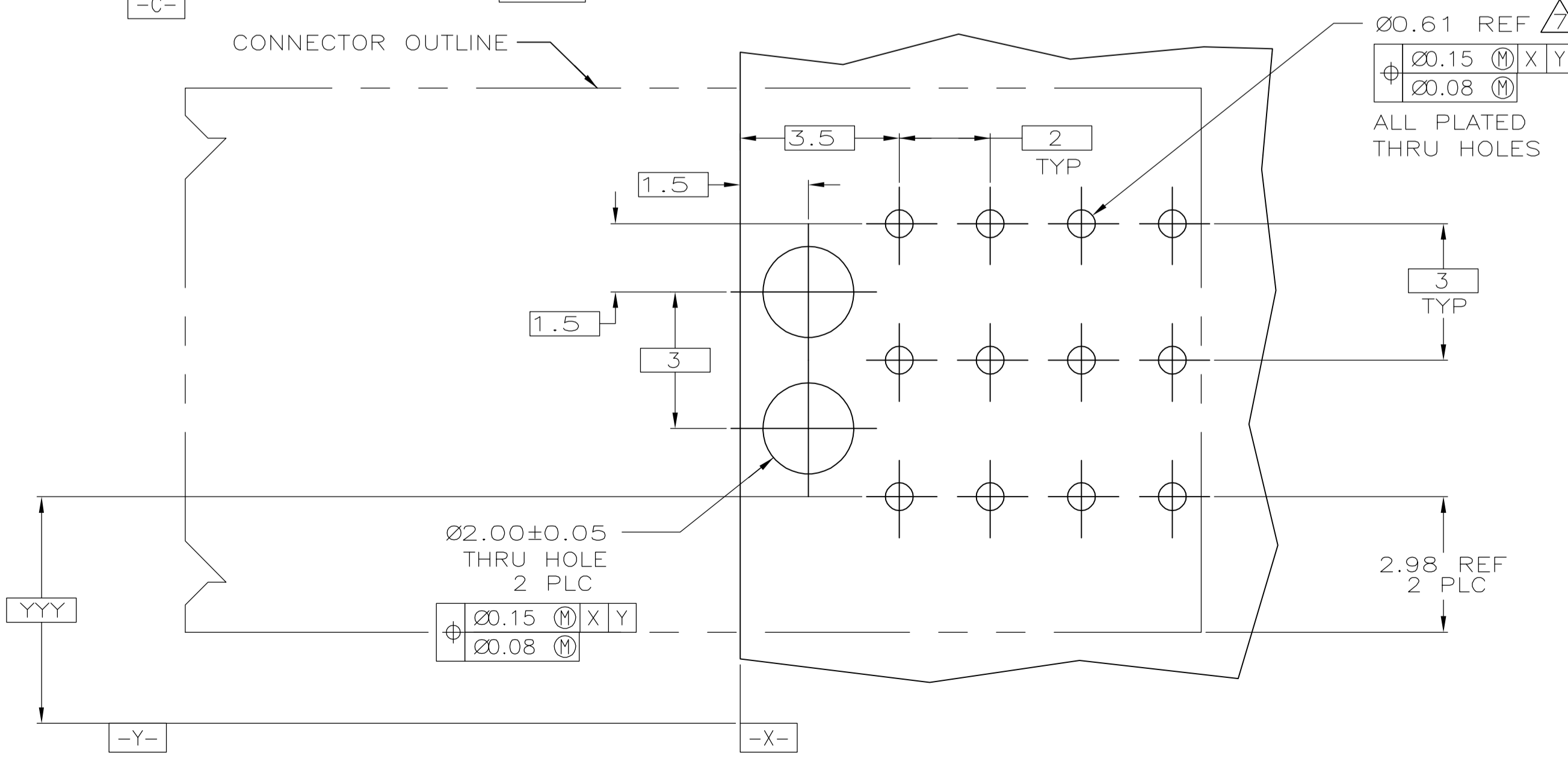
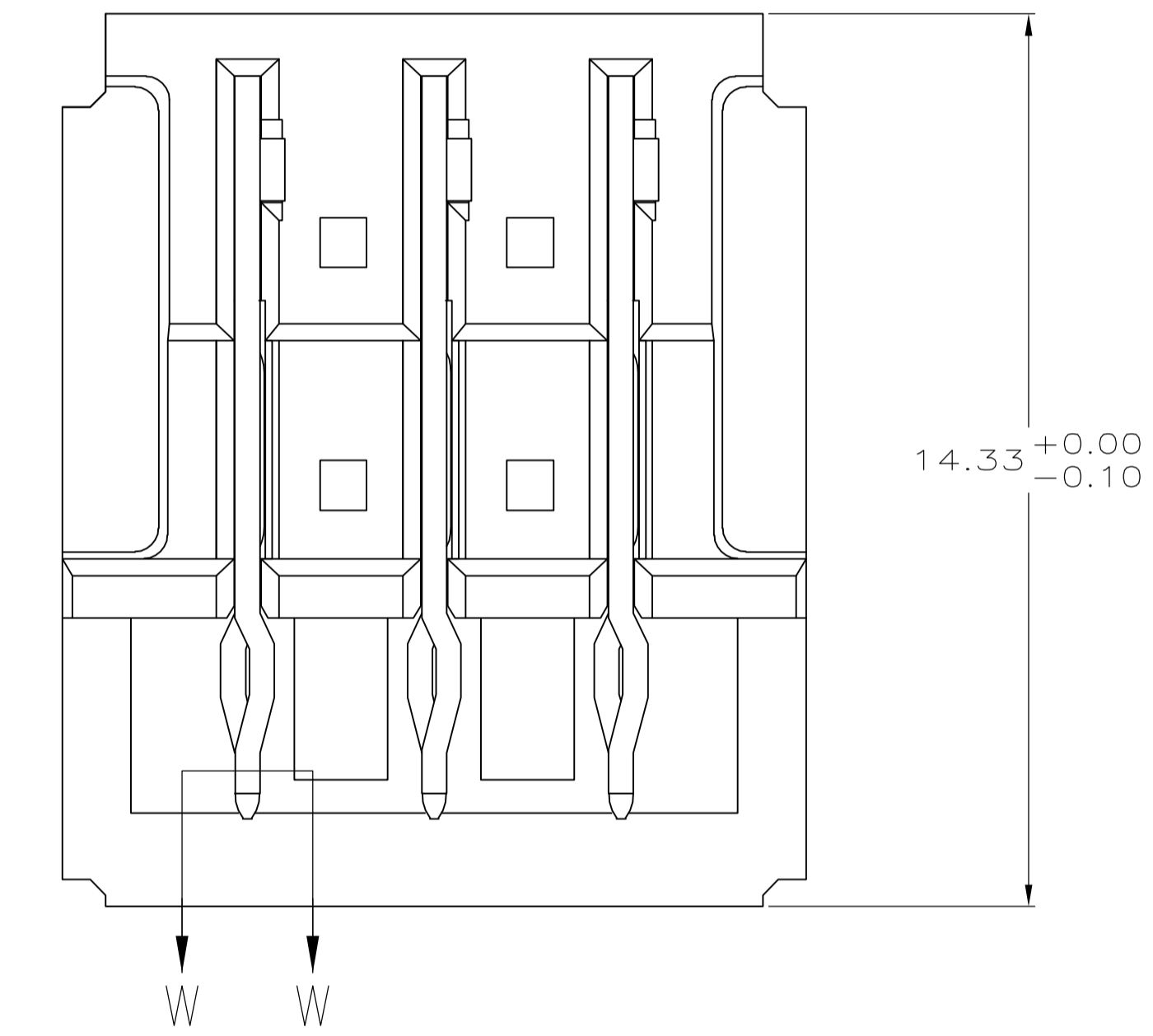
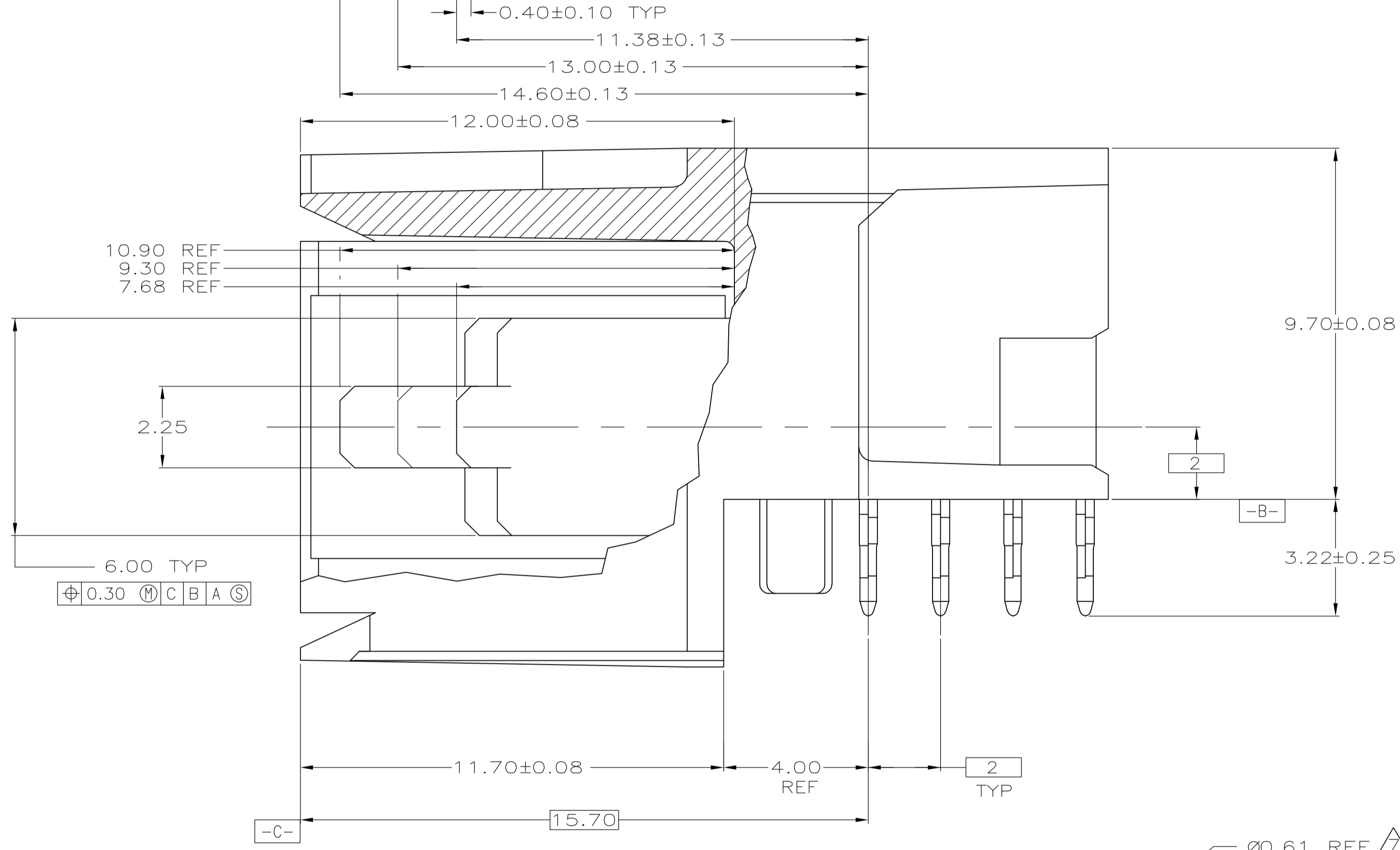
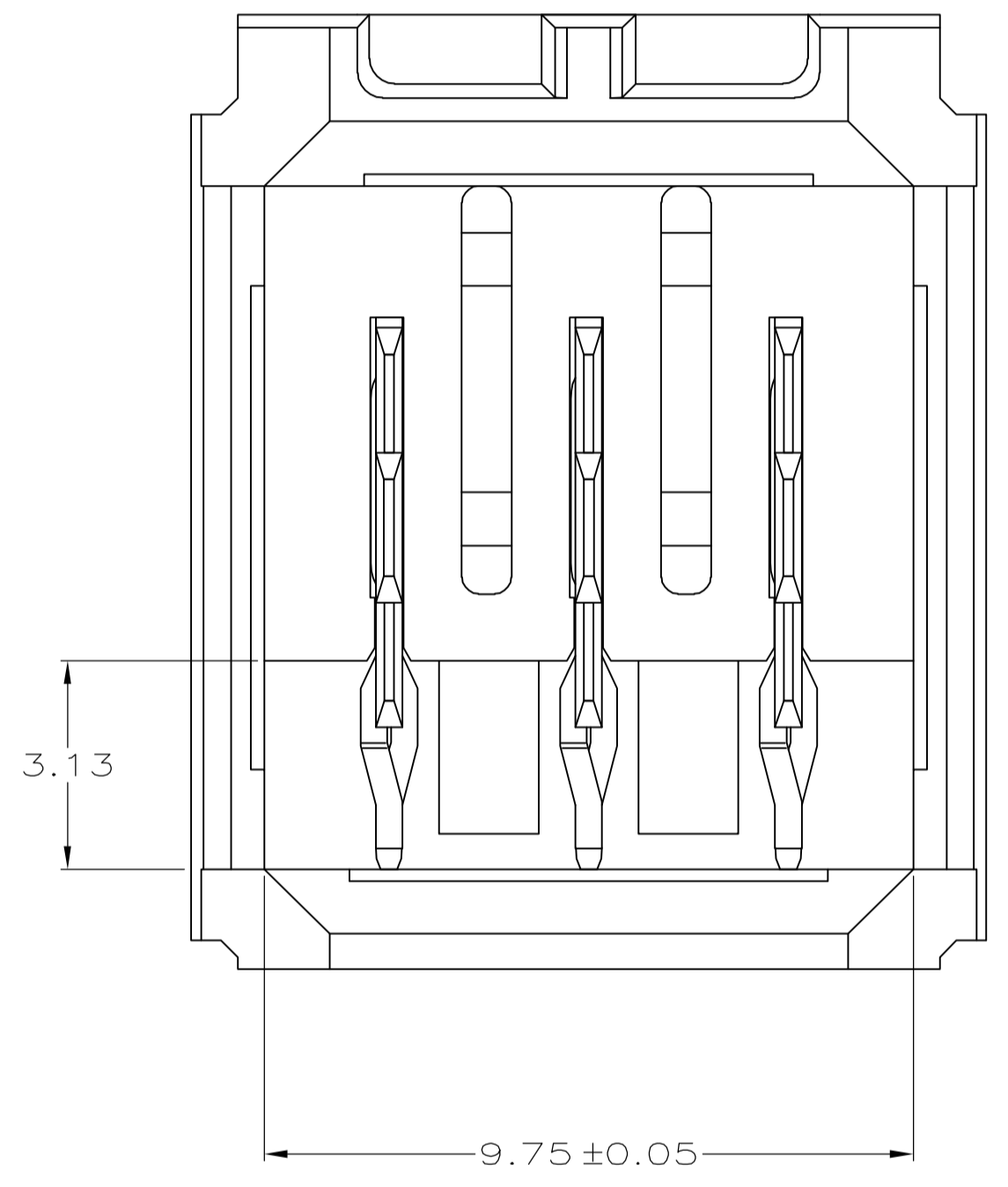


- 1 MATERIAL: HOUSING: POLYESTER. COLOR: GRAY. UL94V-0. CONTACT: PHOSPHOR BRONZE.
- 2 FINISH: CONTACT MATING AREA: 1.27 $\mu$ m MIN GOLD OR 0.08 $\mu$ m MIN GOLD OVER 0.76 $\mu$ m MIN PALLADIUM-NICKEL. ACTION PIN AREA: 0.5 $\mu$ m MIN TIN LEAD PLATE, ALL OVER 1.27 $\mu$ m MIN NICKEL UNDERPLATE.
- 3 FINISH: CONTACT LUBRICATION WITH BELLCORE APPROVED LUBRICANT. TECHNICAL REFERENCE: TR-NWT-001217 ISSUE 1, SEPT 1992.
- 4 MATERIAL: HOUSING: LCP; COLOR, RED. UL 94V-0. CONTACT: PHOSPHOR BRONZE.
- 5 NUMBER "1" MARKED IN THIS AREA.
- 6 RESTRICTED PART NUMBER, CONTACT ENGINEERING.
- 7 REFERENCE APPLICATION SPEC 114-1103 FOR RECOMMENDED PLATED THRU HOLE DIAMETER AND PLATING THICKNESSES.
- 8. CURRENT RATING 10A/CONTACT PER PRODUCT SPEC 108-1651.



	223964-8
1 2 3 5	223964-6
2 3 4	223964-2
1 2 3	223964-1
FINISH	PART NUMBER

OBSOLETE

THIS DRAWING IS A CONTROLLED DOCUMENT.

DIMENSIONS: mm	TOLERANCES UNLESS OTHERWISE SPECIFIED:	0 PLC $\pm$ -	1 PLC $\pm$ -	2 PLC $\pm$ 0.13	3 PLC $\pm$ -	4 PLC $\pm$ -	ANGLES $\pm$ -
		ALL PLATED THRU HOLES $\phi 0.61$ REF $\phi 0.15$ (M X Y) $\phi 0.08$ (M)					

MATERIAL: 1-4 FINISH: 2-3

THIS DRAWING IS A CONTROLLED DOCUMENT.	DIN R BUCHHEISTER 08/MAR/96	tyco Electronics	Tyco Electronics Corporation Harrisburg, PA 17105-3608
CHK N NORRIS 08/MAR/96	NAME D SINISI 08/MAR/96	ASSEMBLY, RIGHT ANGLE HEADER, W/ RETENTION PEGS, UNIVERSAL POWER MODULE	
SIZE A1	SCALE 10:1	SHEET 1 of 1	REV K1